

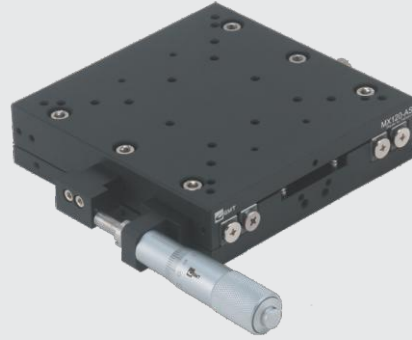
## Crossed Roller Guiding ► X-Axis and XY-Axis ► Aluminum Alloy

Crossed Roller Stages | 120\*120

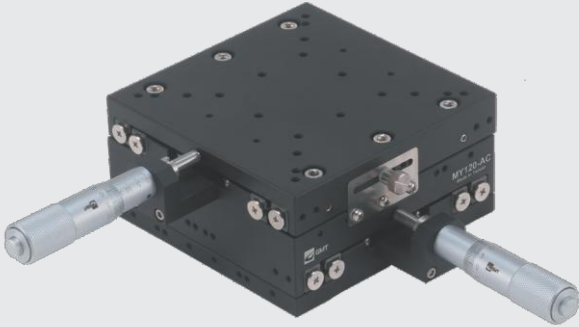
MX120-AC



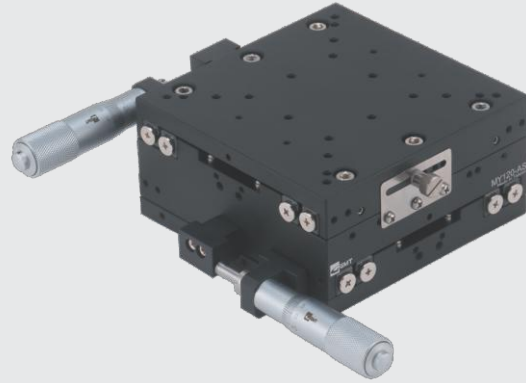
MX120-AS



MY120-AC



MY120-AS

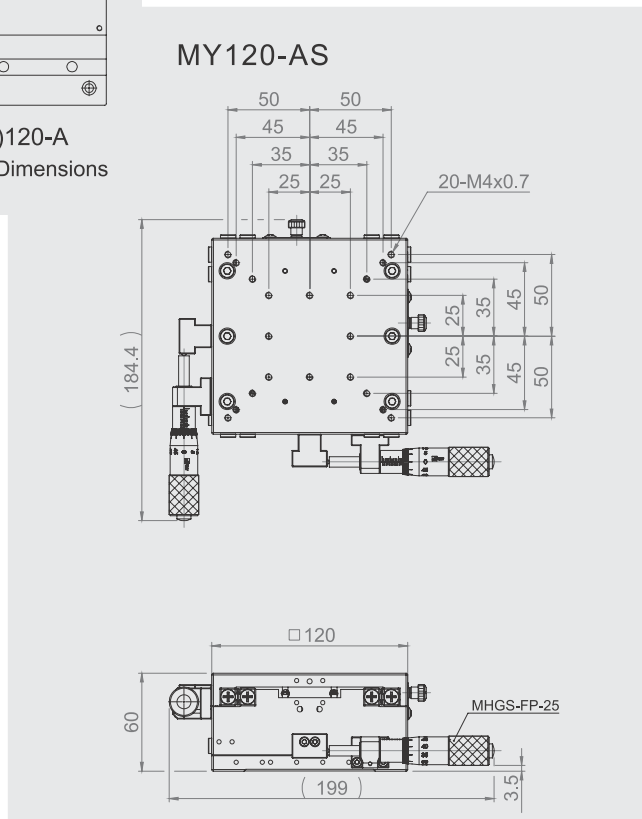
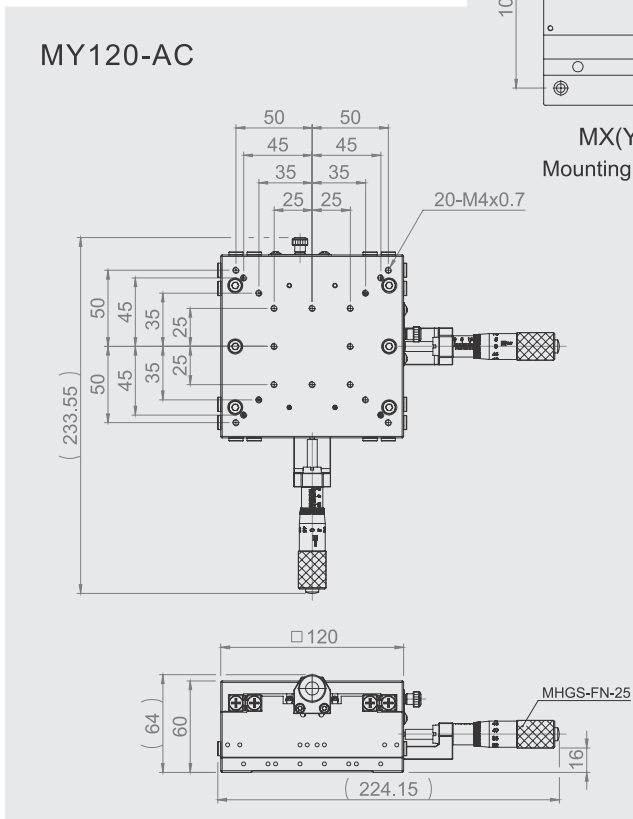
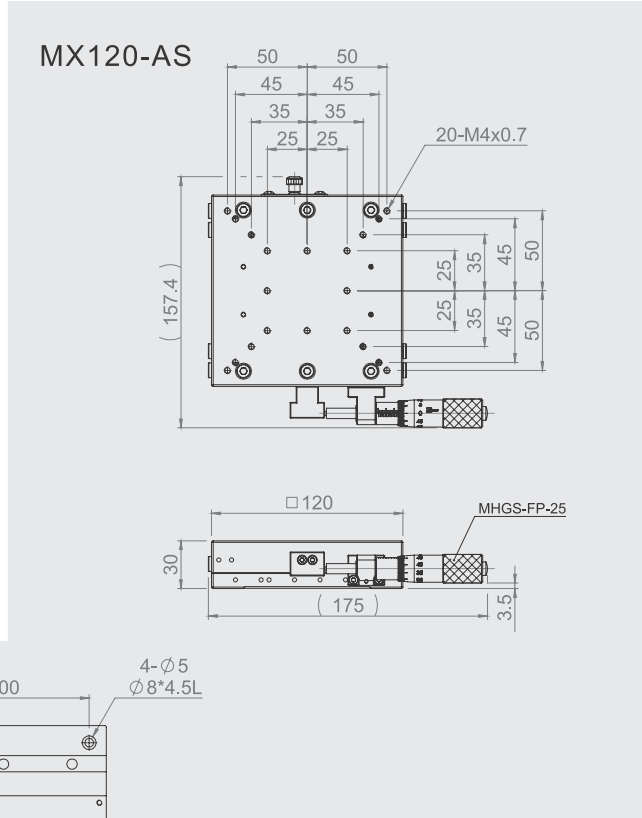
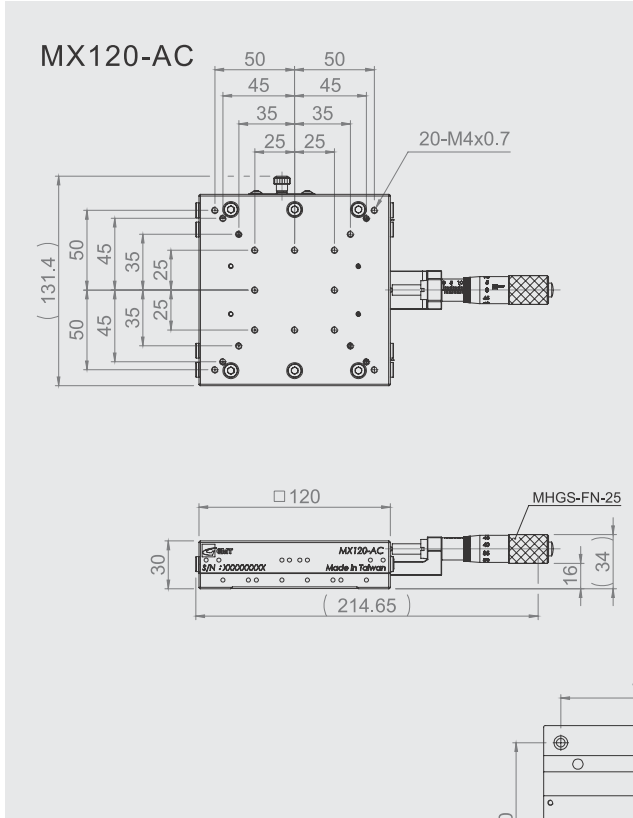


Unit : mm

Model No.	Table Size	Axis	Feed Position	Travel Stroke	Micrometer Minimum Reading ( $\mu\text{m}$ )	Straightness Accuracy ( $\mu\text{m}$ )	Allowable Loading (kgf)	Weight (kg)	Material	Surface Finish
MX120-AC	120*120	X-axis	Central	$\pm 12.5$	10	3	20	1.6	Aluminum alloy	Black anodized
MX120-AS			Side							
MY120-AC		XY-axis	Central							
MY120-AS			Side							

## Crossed Roller Guiding ► X-Axis and XY-Axis ► Aluminum Alloy

Crossed Roller Stages | 120\*120



**MX(Y)120-A**  
Mounting Dimensions